

XR5

Digital Radiography

The Perfectly
Orchestrated Performance



Stability

Standard H/W Configuration

Wireless
DETECTOR

EDGE-FS Air



Rotating Anode
TUBE

FOCAL SPOT
→ 0.6 / 1.2mm

ANODE HEAT
→ 300KHU



High Frequency
GENERATOR

630mA
50kW/3Ø/400-480VAC



Ultimate Performance
WORKSTATION

FLUGEL S/W
DESKTOP PC
TOUCH SCREEN



Manual Type
COLLIMATOR

HALOGEN
150W



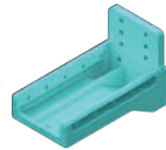
Bold. Sophisticated. Powerful.

Every inch of the XR5, stretching from the triple frames, is an artistic expression of an efficient performance.

01

Anti-Vibration Tube head arm holder

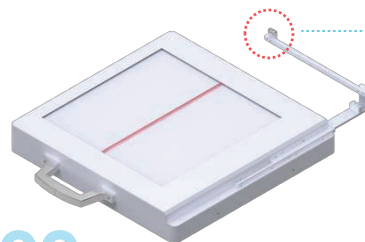
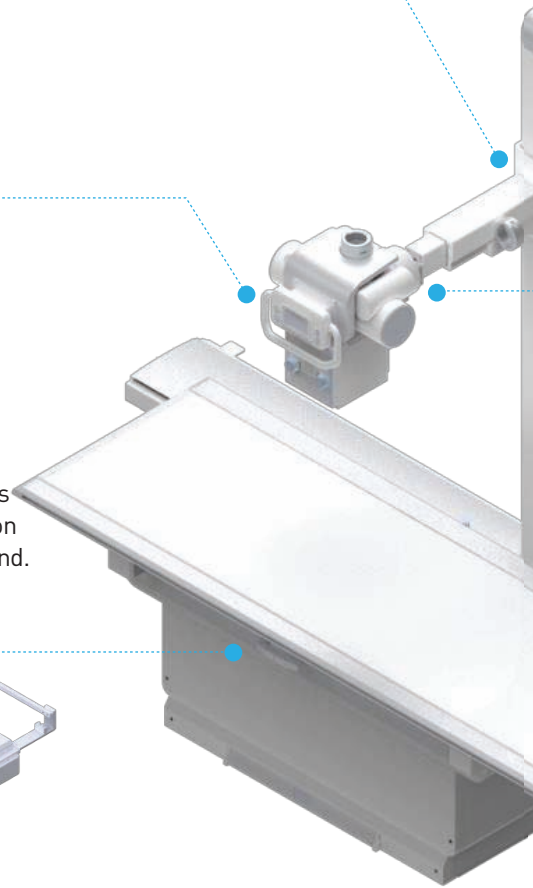
Specially designed Tube head arm holder makes smooth vertical movement and compensates mechanical vibration.



02

Hand Grip Sensor

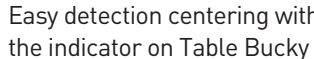
The hand grip sensor relieves you of having to push direction buttons to move the tube stand.



03

Centering Indicator

Easy detection centering with the indicator on Table Bucky



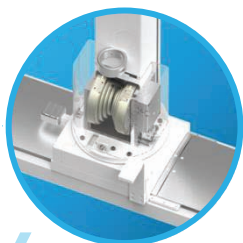
04

Aluminum Body Frames



05

Quality Bearing & Gears



06

Spring Type Weight Balancer

A specially designed spring type balancer is used in XR5 system, instead of lead blocks. Our system is more structurally balanced and environmentally friendly.

07

Table Edge Frames

Replaceable table edge frame in case of damage or excessive wear. Also designed with rounded edges to prevent possible injuries.



Flexibility

Available H/W Options

Auto Triggering
DETECTOR



EDGE-SS

Rotating Anode
TUBE



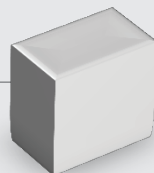
FOCAL SPOT → 1.0 / 2.0mm

ANODE HEAT → 140KHU

FOCAL SPOT → 0.6 / 1.5mm

ANODE HEAT → 200KHU

High Frequency
GENERATOR



500mA

40kW/1Ø/208-230VAC

800mA

65kW/3Ø/400-480VAC

Multilayer, Automatic
COLLIMATOR



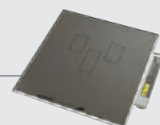
WHITE LED

Max. 150kVp-4mA

DAP¹⁾



AEC²⁾ ION
CHAMBER



1) DAP : Dose Area Product

2) AEC : Automatic Exposure Control

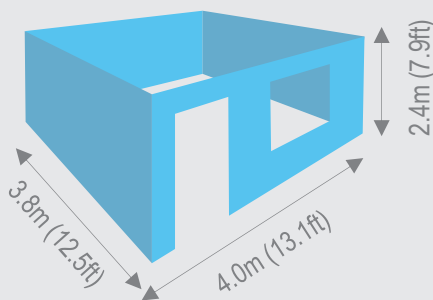
Extensive

Less Risk and Easier Alignment

When you adopt Edge FS or Edge FS Air as portable detector, Rotating Bucky Tray gives you full advantage to cover any exam required. And it reduces drop accident in a busy hospital environment and allows you to make faster alignment.

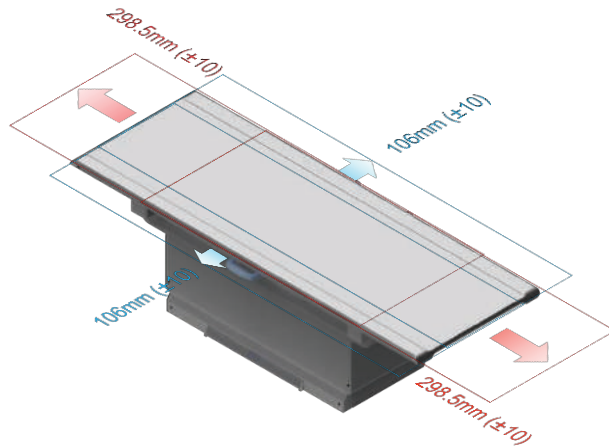
Optimal Use of Space

Ergonomic design provides you with optimal use of space, ease of movement with superb value through the best image quality and performance.



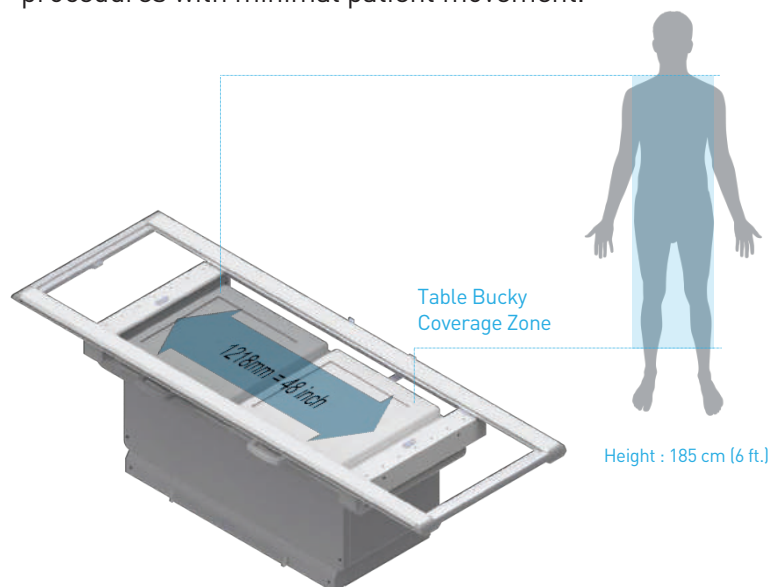
The 4-Way Patient Table

Effortless patient positioning is achieved with the four-way float top table that provides smooth motions. The ease of positioning elderly, non-ambulatory patients, and/or patients with casts results in substantially increased patient throughput.



The Wide Range of Table Bucky Tray

XR5's Table Bucky Tray travels a longer distance than traditional analog designs, it gives you faster exam procedures with minimal patient movement.



Flat Panel Detectors



EDGE-FS Air

EDGE-FS

EDGE-SS

Mechanical Options



Optional Items

Providing increased workflow efficiency in the X-ray room and beyond.

- **EDGE-FS Air (Wireless)**
 - a) Dimension: 460 x 384 x 15.4 mm
 - b) Active Area: 422.7 x 357.6 mm
 - c) Pixel Pitch: 127 μ m
- **EDGE-FS (Wired)**
 - a) Dimension: 460 x 417 x 15.9 mm
 - b) Active Area: 423 x 358 mm
 - c) Pixel Pitch: 127 μ m
- **EDGE-SS (Fixed)**
 - a) Dimension: 460 x 460 x 15.5 mm
 - b) Active Area: 423 x 423 mm
 - c) Pixel Pitch: 127 μ m

01

- Overhead Tube Crane

02

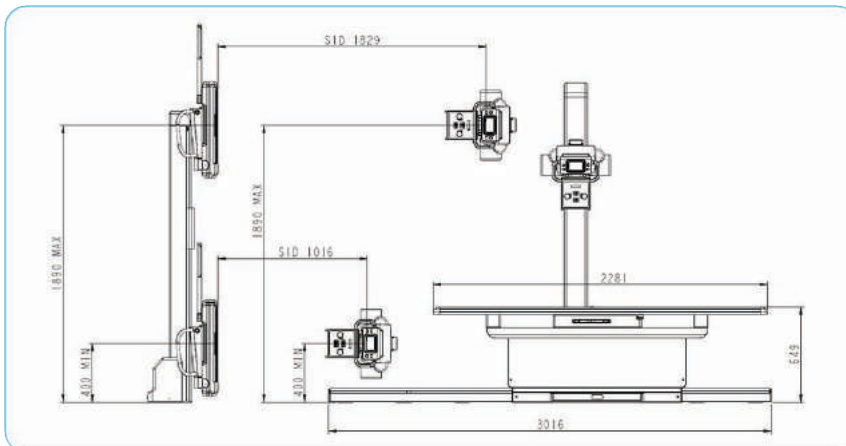
- Auto Tracking Bucky

03

- 6 Way Elevation Table

Specification

CONFIGURATION	ITEMS	SPECIFICATION & DESCRIPTIONS
GENERATOR	Power Output	50kW
	kV Range	40-150kV
	mA Range	10-630mA
	Input Phase / Voltage	3Φ / 400-480Vac
	Exposure Timer Range	6.3s Max.
TUBE	Focal Spot Value	0.6 / 1.2mm
	Target Angle	12°
	Target Diameter	74mm
	Anode Heat Content	300KHU(210kJ)
	Cooling Method	Natural / Forced Air
DETECTOR	Detection Area	14 x 17 in
	Active Area	357.6 x 422.7 mm
	Sensor Type	Amorphous Silicon with TFT
	Weight	3.1 kg (6.8 lbs)
	Active Pixel Number	2756 × 3268 pixels
	Pixel Pitch	127 μm
	Limiting Resolution	Max. 3.9 lp/mm
	A/D Conversion	14 or 16 bits
	Data Acquisition Time	< 5.0 sec
FLOOR MOUNTED TUBE STAND	Power Required	24V, 3A
	Tube Stand	1,940 mm
	SID Range	1,000 ~ 1,800 mm
	Vertical Travel	1,480 mm
	Longitudinal Travel	2,540 mm
	Tube Rotation Range	- 135° ~ +135°
	Tube Arm IN / OUT	± 120 mm
4 WAY TABLE	Dimensions	2281 x 806 x 649 mm
	Forward-Backward Movement	± 106 mm (± 10)
	Left-Right Movement	± 298.5 mm
	Table Bucky Movement	± 347mm (± 10)
	Load Capacity	250kg



THE BENEFITS OF DIGITAL RADIOGRAPHY

INCREASES THE EFFICIENCY OF TODAY'S RADIOLOGY PRACTICE !

01 

INCREASE PRODUCTION AND SERVICE FLEXIBILITY

Faster digital processing allows for an increased productivity, condensing more flexibility in your schedule

02 

SAVES TIME

View images instantly on your operatory computer, saving staff and patients' time

03 

ABILITY TO SEE MORE PATIENTS

No more film processing time means your per-patient visit time decreases, making room for new patients

05 

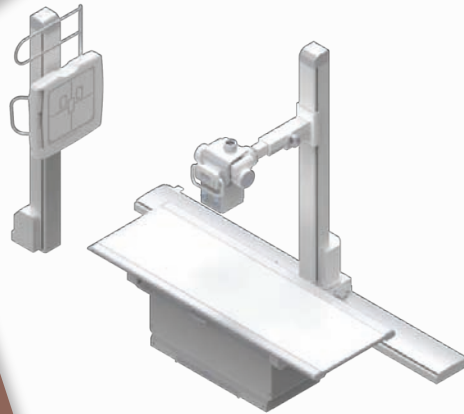
SAVE MONEY

Long-term cost of equipment can work out to less when compared to film processing chemicals, purchasing film, and maintenance.

04 

REDUCED EXPOSURE TO RADIATION

Its about 50 to 90% less than that required for film used in conventional radiography.





www.OSKOmedical.com

OSKO, Inc.
8085 NW 90th Street,
Medley, FL 33166 U.S.A.
Tel : +1-305-599-7161
E-mail : info@oskomedical.com

OSKO ANA Co., Ltd.
E-mail : ryan@oskomedical.com

OSKOMEX S.A. DE C.V MEXICO CITY
E-mail : ian@oskomedical.com