

Smart!

Mammography system

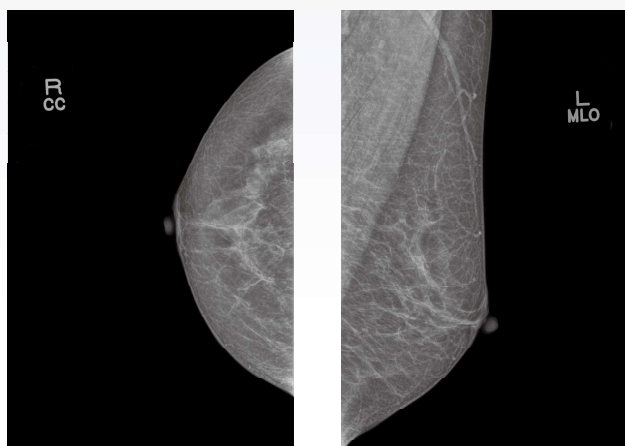
Pinkview-AT

User convenient : All motorized movement system

User friendly : Smartphone type touch and icon



Auto Standard Positioning system
 MICOM compression with Load Cell
 Easy operation with wide full color Touch LCD(7")
 SID 660 mm for high sharpness
 Convenient Installation with All-in-one type
 Automatic Exposure Control



• Specifications

Power Requirements

Single phase 220 VAC, 16 A, 50/60 Hz

X-ray Generator

High Frequency Inverter Type

Large Focal Point : 20~35 kV(1kV step) / 4~500 mAs

Small Focal Point : 20~35 kV(1 kV step) / 4~160 mAs

Max.mA Current : 100 mA@25 kV

X-ray Tube

Target Material : Mo (Rotating Anode)

Anode Heat Capacity : 300,000 HU

Focal Spot : Small 0.1 mm / Large 0.3 mm

Additional Filtration : 0.03 mm Mo

C-arm

All motorized movement system / Auto Standard Positioning (ASP)

Rotation Degrees : Right 145° ~ Left 180°

Vertical Movement : 780 mm (530~1310 mm)

Source to Image Distance : 660 mm

Compression : Manual / Motorized by MICOM control

Motorized Compression : 10 N step Max.200 N (with Load cell)

Internal Collimator Plate : Selectable 18 X 24 / 24 X 30 cm

Cassette Image Receptor

Bucky Device : 18 X 24 cm

AEC Sensing : Displaying 4 Positions on Positioning Condition Panel

Cassette Sensing : Infrared Photo Sensor

Grid Ratio 4 : 1, 36 Lines/cm

Automatic Exposure Control

AEC Mode : AEC, Auto mAs, Manual

15 Density Adjustment steps (7% per 1 Step)

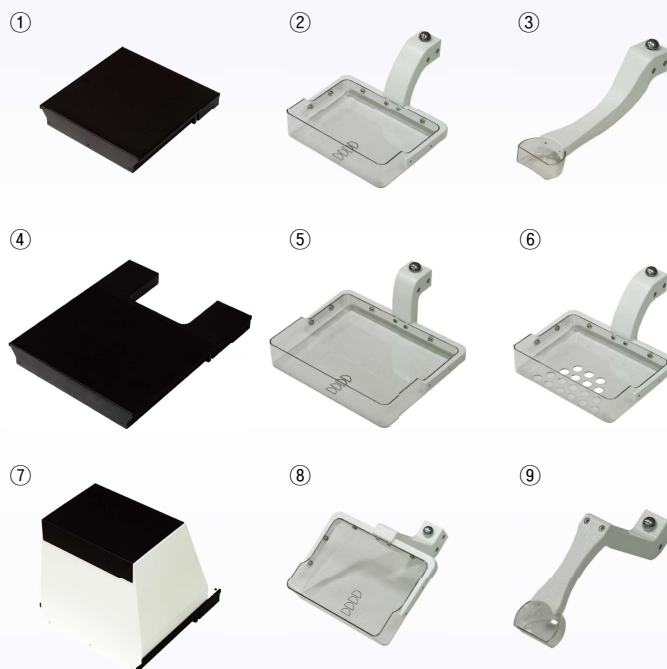
Options

18 X 24 cm / 24 X 30 cm Film cassette

24 X 30 cm Bucky Device & Compression Paddle

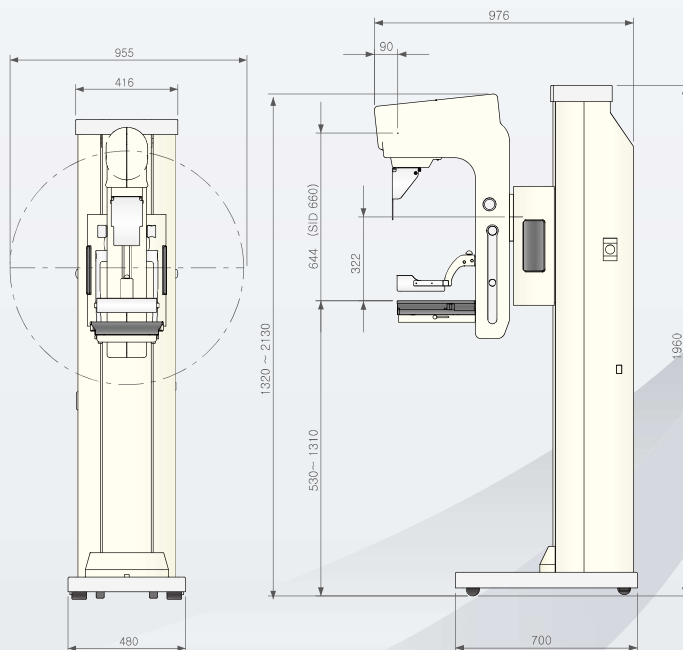
Magnification Device

• Accessories & Options



- ① 18X24 Bucky Device
- ② 18X24 Standard Paddle
- ③ 18X24, 24X30 Spot Paddle
- ④ 24X30 Bucky Device
- ⑤ 24X30 Standard Paddle
- ⑥ 18X24 Biopsy Paddle
- ⑦ Magnification Device
- ⑧ Magnification Standard Paddle
- ⑨ Magnification Spot Paddle

• Dimensions



Unit = mm