

*Slim!*

Portable X-ray System

# AnyRad-5

## Multiple Functions with Compact Design

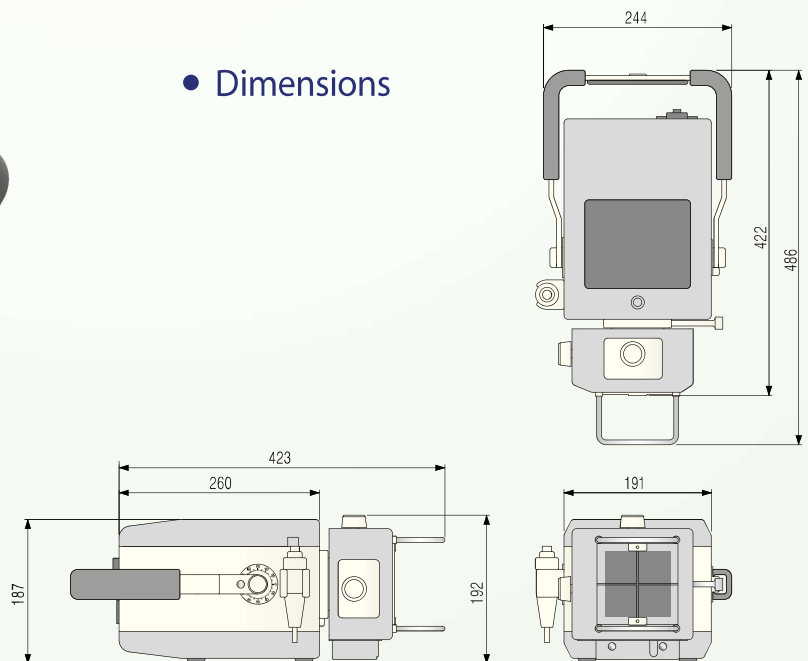
*Easy access to DR Systems**Dose Area Product Function**16 APR Data Selection**Flat Touch Panel & Digital Display**Built-in Dual Laser Pointer (option)*



• Specifications

Model	AnyRad-5	
Generator	Type	High Frequency Inverter
	Maximum Output	2.4 kW at 80 kV
	Frequency	40 kHz
	kV Range	40 - 100kV
	mA Range	16 - 40mA
	mAs Range	0.32 - 100mAs
	Indication	7-segment LED read out reversible
	APR	16 APR
X-ray Tube	Application	CANON (D-125S), Stationary
	Focal Spot	1.2 X 1.2mm
	Target Angle	16 Degree
	Anode Heat Storage	35 kJ[50kHU]
Collimator	Type	Manual
	Min. X-ray Field Size	5cm X 5cm at 100 cm SID
	Max. X-ray Field Size	35cm X 35cm at 65cm SID
	Lamp	Standard: Halogen, Option: LED
	Laser Pointer	Built in Dual Laser Pointer (Option)
Total Filtration	Inherent 0.8 mm Al, Added 1.5 mm Al	
Input Power Rating	110/220 VAC(Free-Voltage), 50/60Hz, single phase	
Dimensions	486×244×192mm	
Weight	12.5Kg	
Standard Accessories	Hand Carry Aluminum Case	
	Power Cable (6M)	
	Hand Switch	
	User Manual	

• Dimensions



Unit = mm