

Product Catalogue

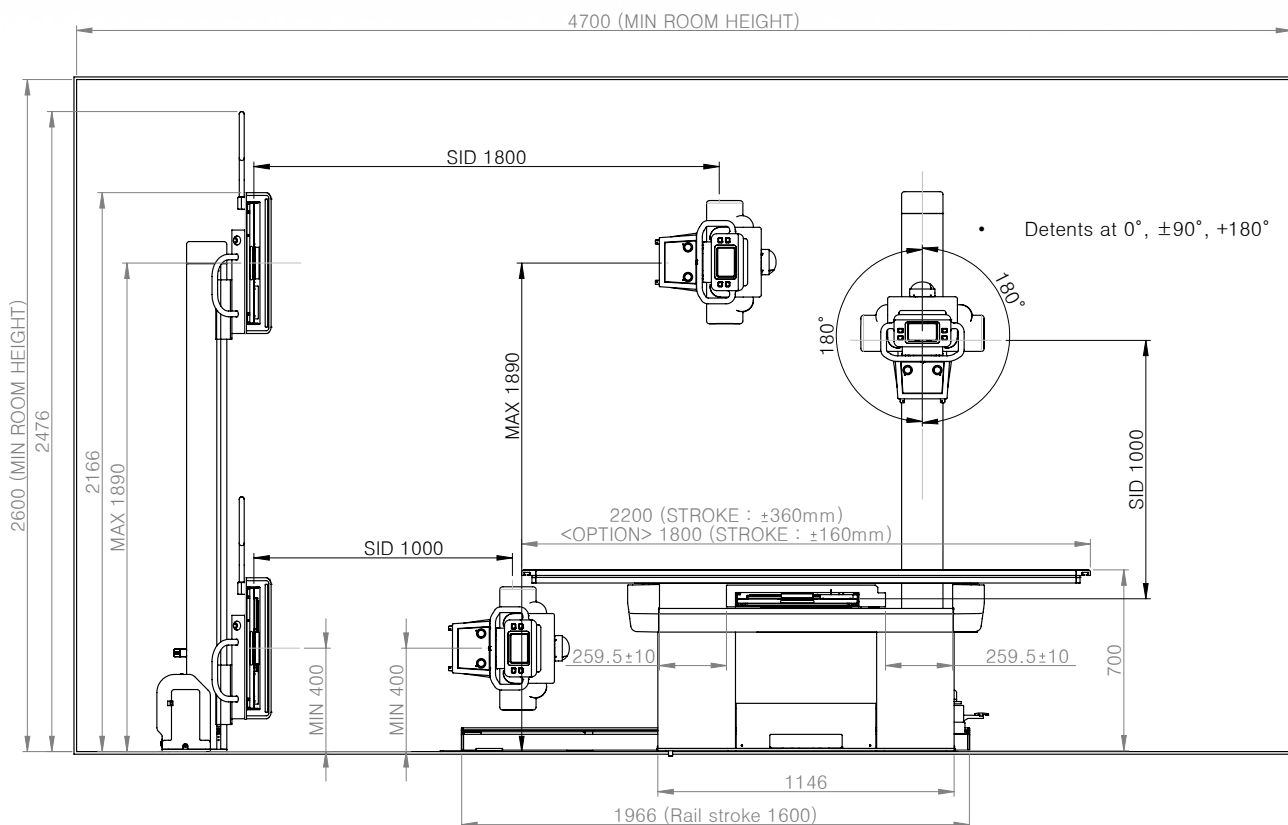
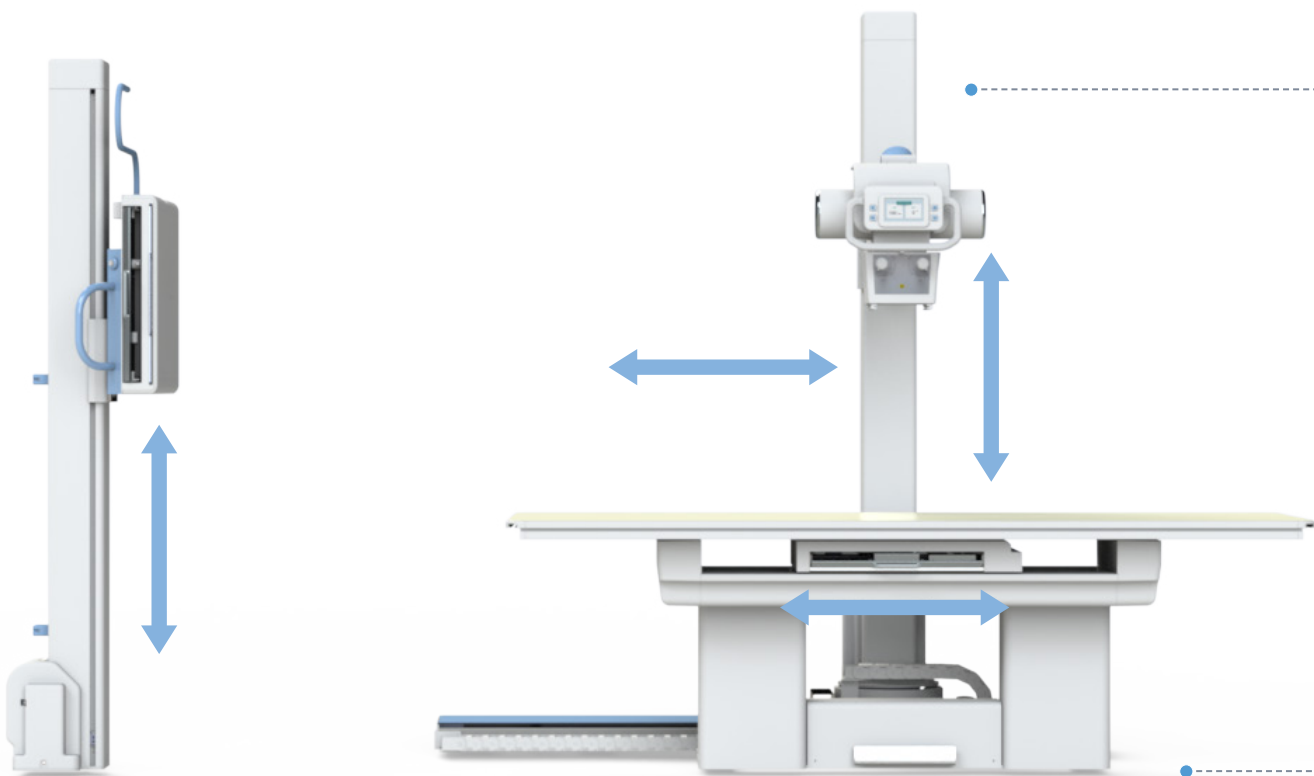
# LaVid-F200

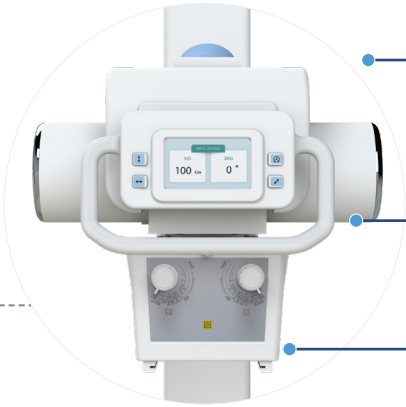


[www.synicsray.com](http://www.synicsray.com)

# LaVid-F200

40kW  
Single Phase





### **X-ray Tube**

40kW Rotating Tube  
(140 kHU / 125 kV)

### **Operation Panel**

5" LCD OP Console

### **Collimator**

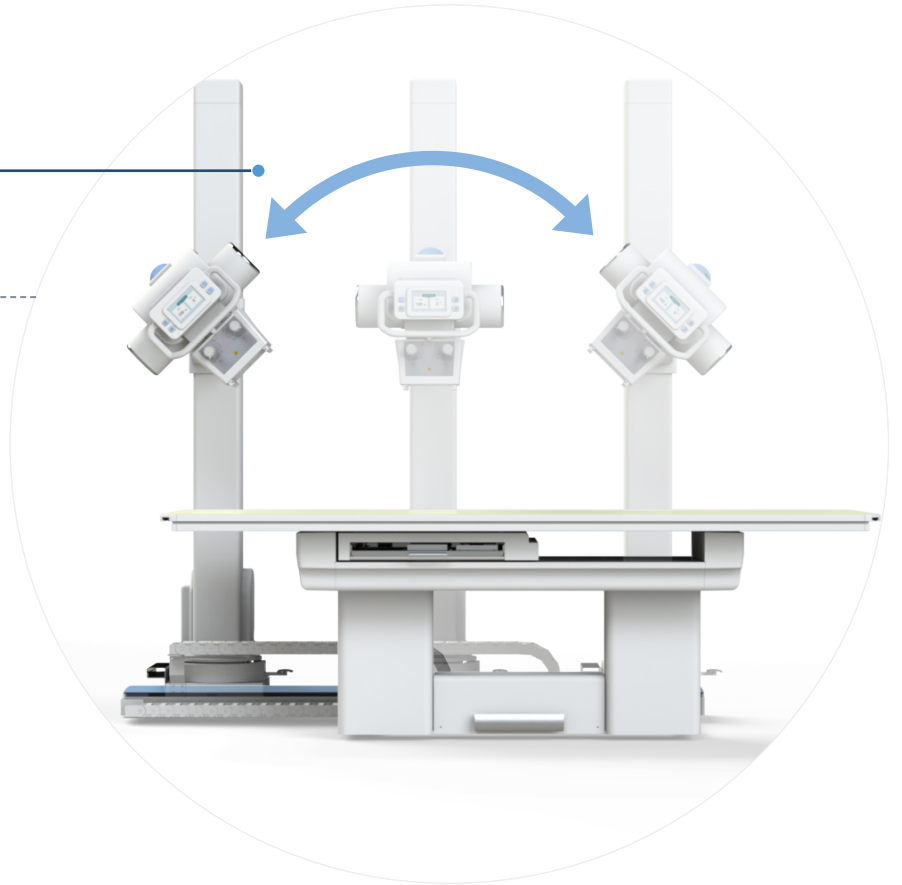
Manual Collimation

**Convenience of immediate use  
without additional electrical work**

1

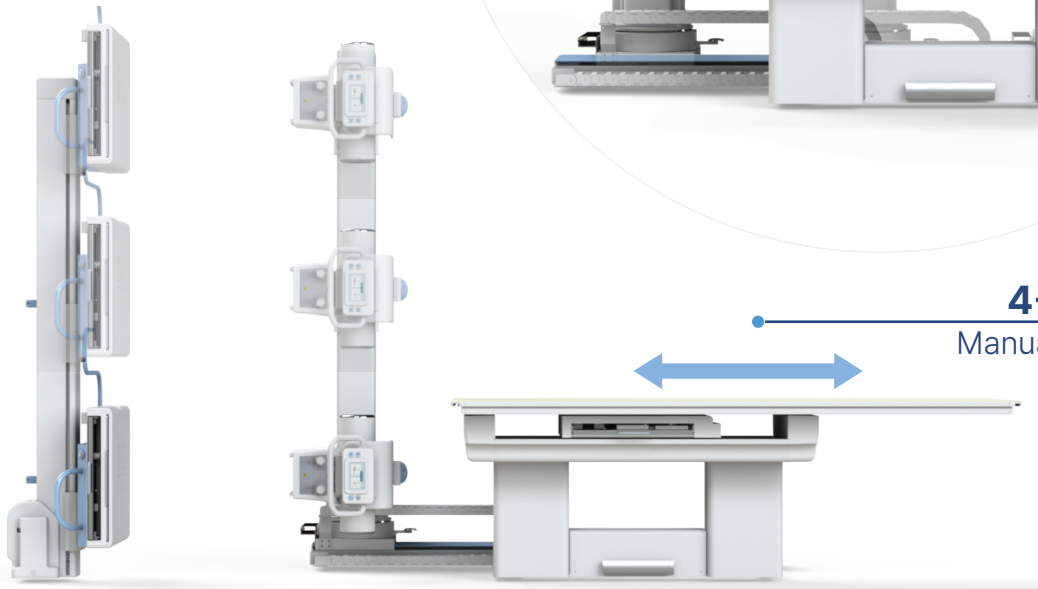
### **X-ray Tube Head Rotation**

Manual Rotation  $\pm 180^\circ$



### **4-Way Table Top**

Manual Floating Table-top



# LaVid-F200

40kW  
Single Phase

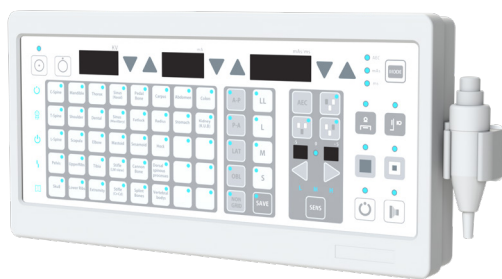
2  
Compact and simple, yet the most powerful

## SGX-400S

Ultracapacitor Type Generator  
with Membrane Type OP



Input Power	120 V / 220-240 V, 50/60 Hz 10A (Momentary), 2A (Normal)
Output Power	40 kW max in large focus 22.5 kW max in small focus
kV range	40 to 125 kV (1kV STEP) (±8%)
mA range	40 to 500 mA (±20%)
ms range	1 to 6300 ms (39 STEP) (±10%)
mAs range	0.4 to 400 mAs (31 STEP) (±10%)



Membrane Type OP



LCD Type OP  
10" Touch LCD

Optional