

Digital!

Mammography system

Pinkview-DR Plus

*Optimized digital mammography for breast cancer screening
Easy and convenient software operation system*

High-tech digital image acquisition system

Truly gorgeous and luxurious design

Harmonizing with luxurious hospital interior with modern style

Completed compatibility for DICOM3.0

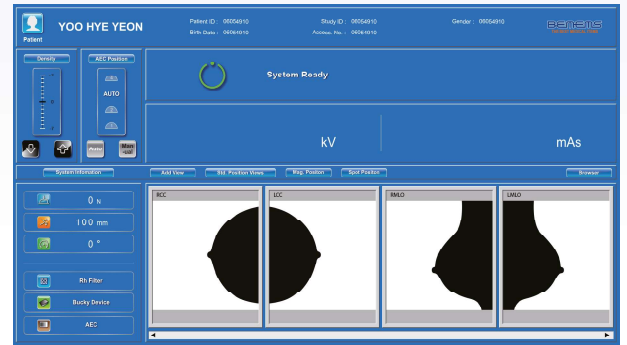
Compression control by international regulation

Comfortable MICOM compression with load cell

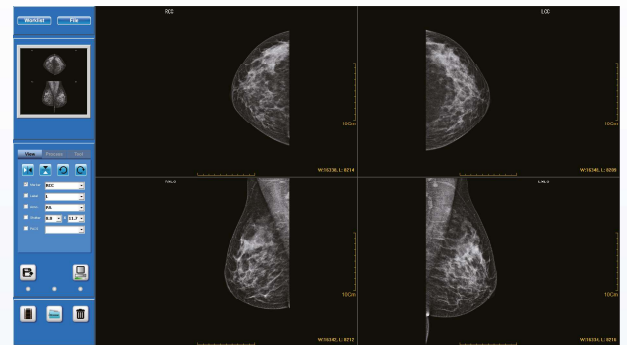
SID 660 mm for high sharpness image

Easy detachable magnification device





Synchronizing operation and display all parameters at PC and Main OP



Convenient local saving and completed compatible system with PACS

• Specifications

X-ray Generator

High Frequency Inverter Type
Large Focal Point : 20~39 kV (1kV step) / 1~720 mAs
Small Focal Point : 20~39 kV (1kV step) / 1~350 mAs
Max. mA Current : 100 mA @ 28 kV

X-ray Tube

Target Material : W (Tungsten Rotating Anode)
Anode Heat Capacity : 300,000 HU
Focal spot : Small 0.1 mm / Large 0.3 mm
Additional Filtration : 0.05 mm Rh

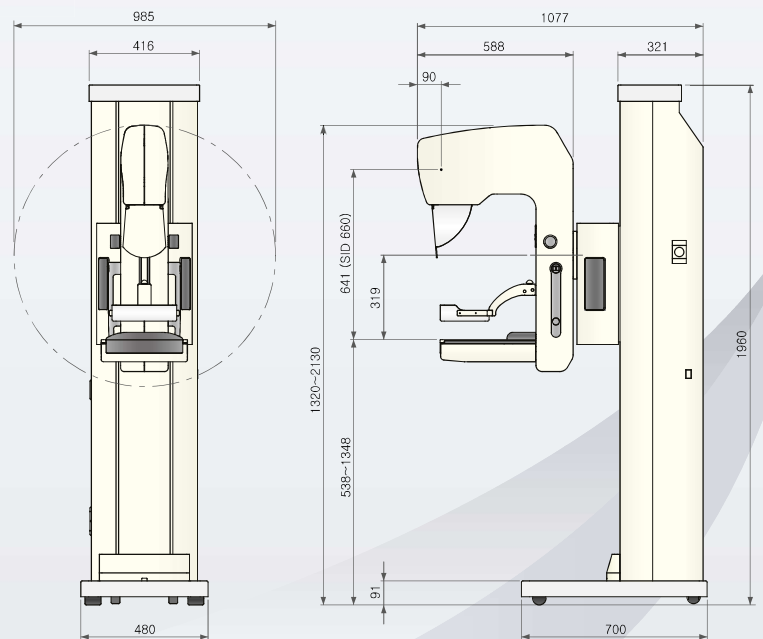
Image Receptor

Digital Detector : TFT array
Moving Bucky Device : 24x30cm
Grid Ratio 4 : 1, 36 Lines / cm
Magnification Device : x1.8

Automatic Exposure Control

Mode : AEC, Auto mAs, Manual
Operation of AEC : Pre-exposure Analysis

• Dimensions



Unit = mm