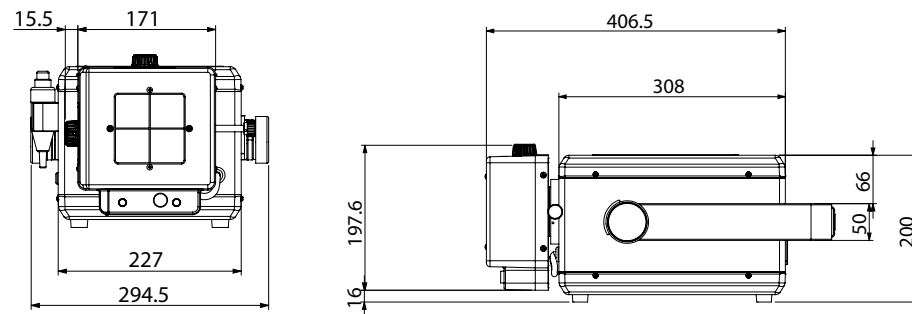


Size



Specification

<b>Type</b>	5kW Portable	<b>RAD</b>	<b>kV</b>	40~110kV (1kV Step ±8%)
<b>Max Power</b>	5kW	<b>mAs (mA)</b>		0.32-200mAs (±10% +0.2mAs) (20-100mA (±20%))
<b>Input Power</b>	AC	<b>Collimator</b>	* Manual Collimator * Ultrasound Sensor * Laser Pointer (SID- 100cm)	
	200-240V 50/60Hz	<b>Operation Panel</b>	FND&Membrane type	
<b>X-Ray Tube</b>	<b>Type</b>	<b>Movement</b>	Manual Movement	
	<b>Focus</b>	Focal 1.8 mm	<b>Other</b>	Wired Exposure Switch

Product Catalogue

# SPX-050



PORTABLE

# SPX-050

5kW  
200~240V AC TYPE

 Weight 17.5 kg

 FND & Membrane Panel

 Manual Collimation

 Collimator Rotation 45°

 Wired Exposure Switch

 SID Laser Pointer (SID-100cm)

 Ultrasonic Distance Sensor

