

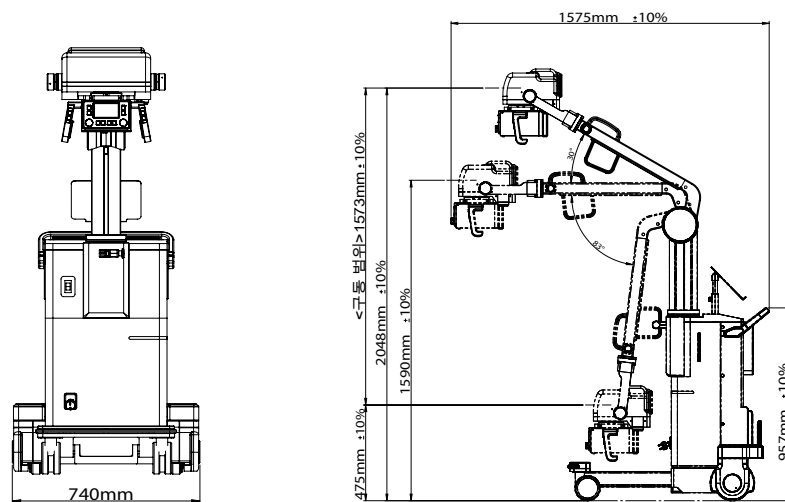


SIDE



BACK

Size



Specification

<b>Type</b>	32kW Mobile Radiography	
	<b>Max Power</b>	32kW
<b>Input Power</b>	AC	
	AC 100 ~ 240V	
	50/60Hz, 16A	
<b>X-Ray Tube</b>	<b>Type</b>	Monoblock
	<b>Focus</b>	Focus 0.6, 1.3 mm
<b>RAD</b>	<b>kV</b>	40kV ~ 125kV (1 kV Step)(±8 %)
	<b>mAs</b>	0.5 ~ 400mAs (±10%)
<b>Collimator</b>	<ul style="list-style-type: none"> <li>* Auto Collimator</li> <li>* 4.3" Touch screen OP</li> <li>* Ultrasound SID Sensor</li> <li>* kV, mAs, APR control</li> </ul>	
<b>Weight</b>	293 kg	
<b>Motor drive Battery</b>	12V / 12Ah*4ea	
	Model: NPB-120-48TB Adapter (cc, cv function)	



Product Catalogue

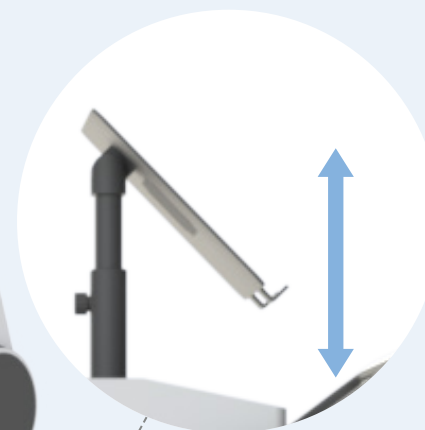
# SMX-320A

# SMX-320A

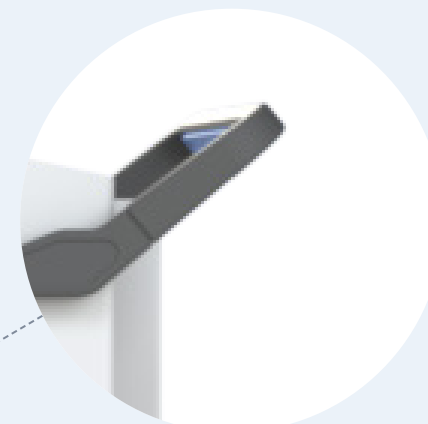
**32kW**  
220V AC TYPE



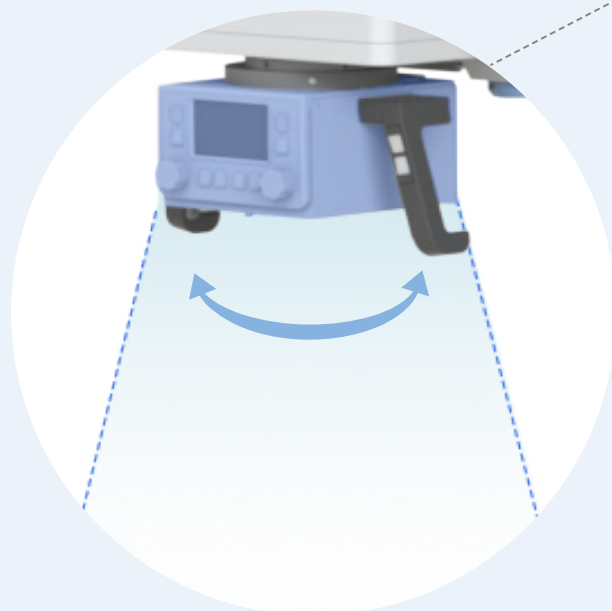
**32kW Monoblock Type**  
4.3" Touch Screen OP



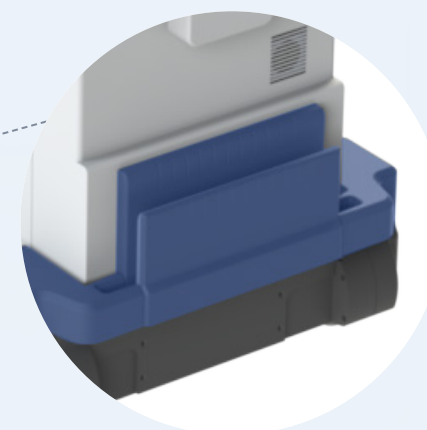
**Laptop Positioner**  
Up&down Angle  
Adjustment Available



**Steering Bar**  
Loadcell Sensor



**Collimator**  
X-ray Field size Max 46x46 cm  
Lamp(LED) More than 130 lux



**Detector Panel Pocket**

**Safety guard bumper**

**Motorized Wheel**

