

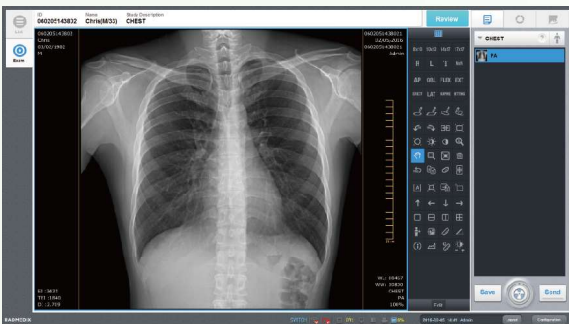
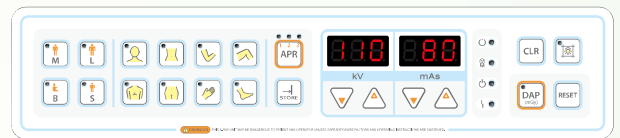
Digital!

Mobile X-ray System

AceMobile-510D

Various Digital Upgrade Package

- Arm Free Stop Function at Any Position
- High Frequency Inverter System
- Powerful 100 mA Output with Compact Size
- Two Operation Panel (Main/Header)
- Wide Range of APR (96 APR)





Option : Digital Solution

Economic Digital Mobile X-ray Package with the Various Upgrade Solution.

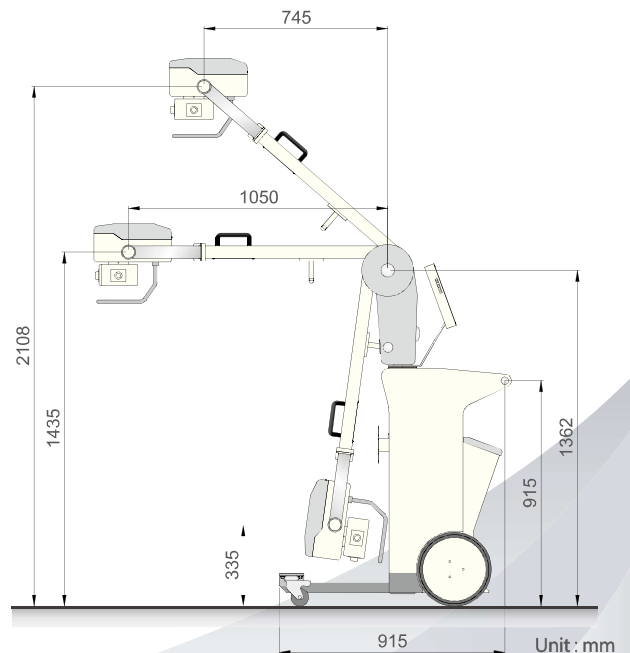
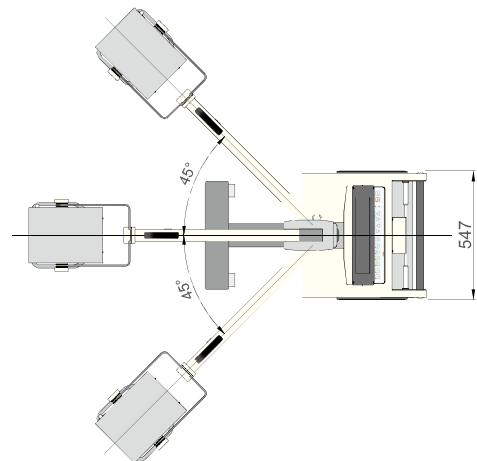


More Easy Operation

Improving Users Comfortable handling with Additional Operator Panel on Head Part.



• Dimensions



• Specifications

Power Requirements

Single phase 220 VAC, 50/60 Hz

X-ray Generator

High Frequency Inverter Control System

Adjustable Tube Voltage : 40 kV ~ 110 kV (1kV Step)

mAs Range : 0.32 mAs ~ 100 mAs

Max Output Power : 5.1kW @ 60 kV 85 mA at Input 220 VAC

X-ray Tube

Anode Type : Stationary Anode

Target Angle : 15°

Focal Spot : 1.8 mm

Anode Heat Storage Capacity : More than 30 kJ

Max. Tube Voltage/Current : More than 110 kV / 100 mA

The others

X-ray Tube Support Form: Arm Free Stop

Collimator Lamp Illumination : More than 100 lux

SID Scale : 2m

Gross Weight : 160 kg